

PDS  
1ST

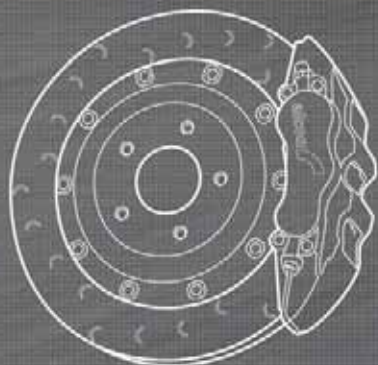


**alcon**

specialist brakes & clutches



ULTIMATE PERFORMANCE



ULTIMATE  
PERFORMANCE

**CONTACT**

ALCON COMPONENTS LTD

APOLLO

TAMWORTH

B79 7TN

+44 (0) 1827 72 37 00



Alcon's Advantage Extreme brake kits are specifically engineered to give you exceptional braking performance control

## WHAT'S IN THE BOX?

The Advantage Extreme kit is supplied in two boxes, one for each hand, and includes all the parts that you will need.

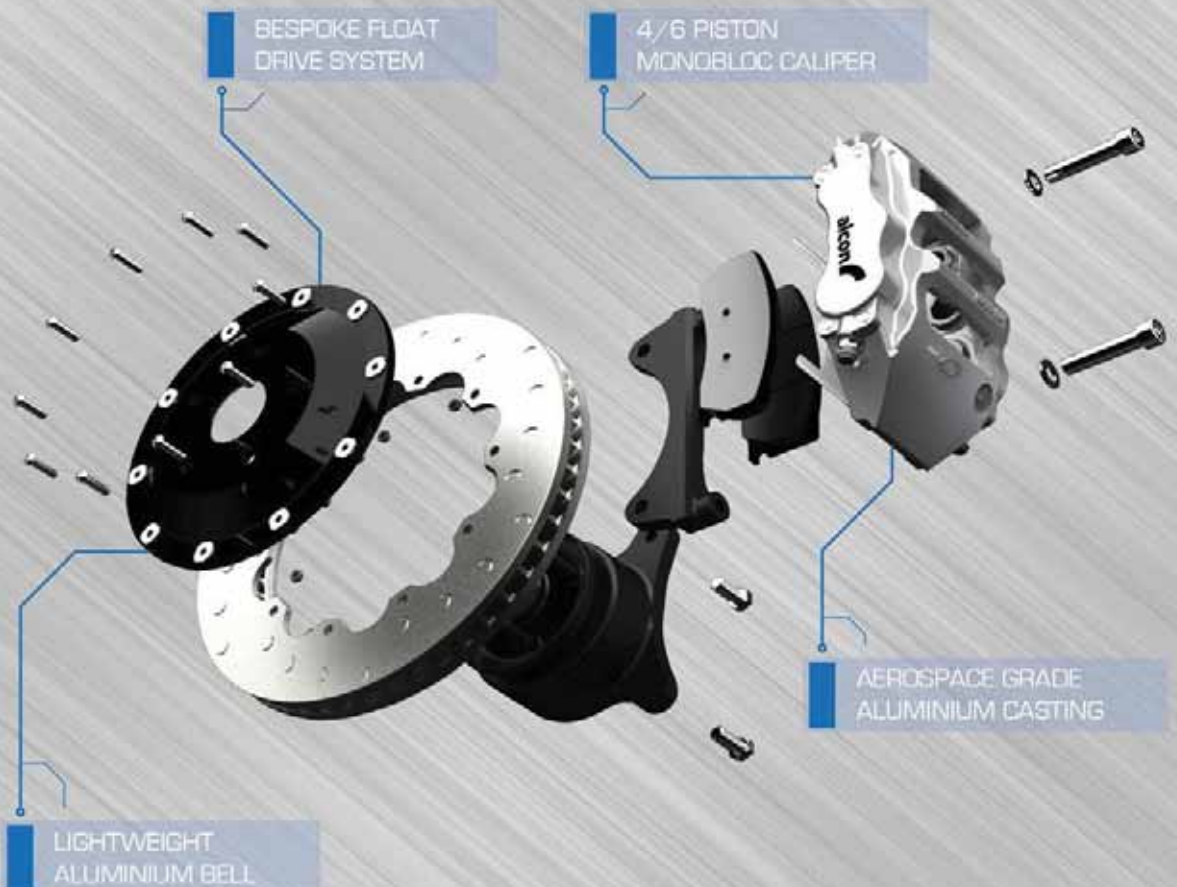
- Special alloy and disc bell assembly
- Monobloc 4 or 6 piston caliper
- Low noise, fade resistant pads
- Brackets and fixings
- High performance brake fluid



Please check that your wheels are compatible with the Advantage extreme brake kit by obtaining a radial profile template from your dealer or from our website at [www.alcon.co.uk](http://www.alcon.co.uk)

Alcon Advantage Extreme brake kits need to be fitted as a **matched pair of brakes**.

## CALIPERS. DISCS. PADS.



ADVANTAGE  
EXTREME

## DISCS

Advantage Extreme discs have been engineered to produce optimum bite, thermal stability and durability in an exceptionally high strength to low weight design. This has been achieved by combining a special Alcon developed iron alloy disc with an aerospace specification alloy bell.

Other disc benefits:

- Unique crescent grooves on friction faces provide the bite usually associated with drilled discs without the attendant durability problems
- Directional curved cooling vanes for optimum cooling performance
- Alcon's floating disc system (as used in the majority of applications) has been designed to allow thermal expansion of the disc throughout its life whilst minimising the tendency to judder



## PADS

These low noise pads offer strong cold performance for start up and city driving and are especially formulated for excellent resistance to fade at elevated temperatures.

## CALIPERS

Advantage Extreme calipers are gravity die cast monobloc constructions using aluminium alloy for optimum strength and weight.

Other caliper benefits:

- Monobloc 4 or 6 piston design for high stiffness (firm pedal) with low weight
- Piston bore sizes are staggered to ensure even pad wear
- Pin-mounted pads provide low threshold pressure and low noise



TYPICAL APPLICATIONS

ADVANTAGE  
EXTREME



BMW  
E90 335i



HONDA CIVIC  
TYPE R FOR



SUBARU  
IMPREZA STi



GOLF 4, 5 & 6  
PLATFORMS\*

\*INCLUDES VW SCROCCO R

FOR MORE INFORMATION REGARDING AVAILABILITY & FULL LIST OF APPLICATIONS

PLEASE CONTACT US ON  
T +44 (0) 1827 72 37 00

E [info@alcon.co.uk](mailto:info@alcon.co.uk)

[www.alcon.co.uk](http://www.alcon.co.uk)